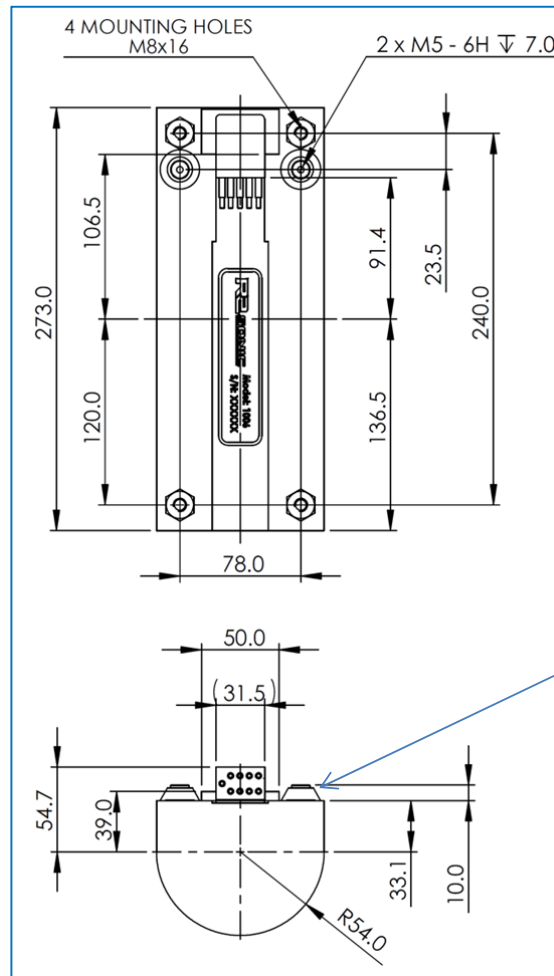


Figure 198: Sonic 2024/2022 Projector

Version	6.2	Rev	r001
Date	08-02-2017		

Part No. 96000001



All measurements in millimetres

The projector's dimensions are the same as all other projectors except for the added boss that holds the bottom portion of the clamp mechanism.

Figure 199: Cable clamp projector dimensions

Version	6.2	Rev	r001
Date	08-02-2017		

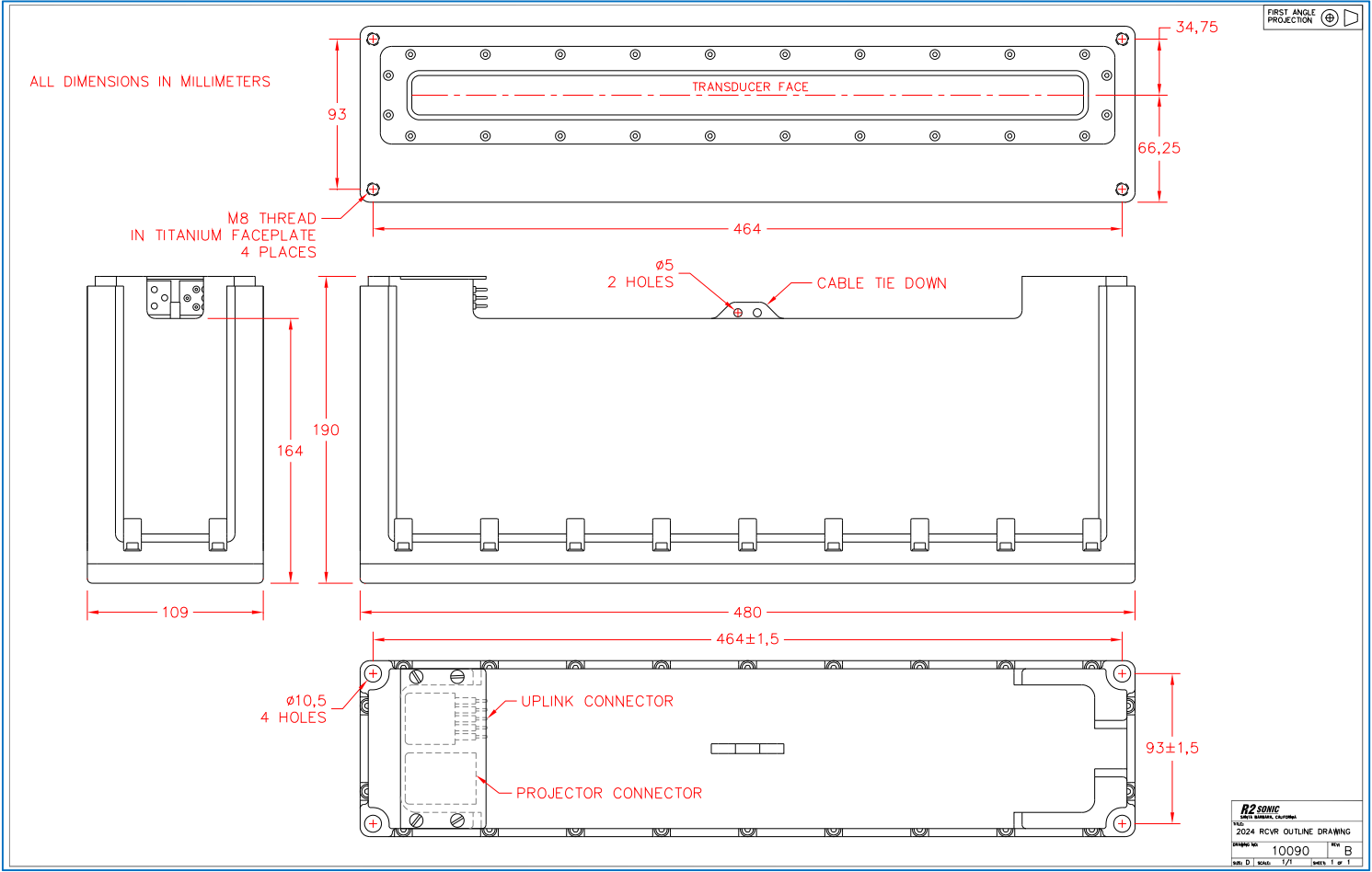


Figure 201: Sonic 2024/2026 Receive Module

Version	6.2	Rev	r001
Date	08-02-2017		

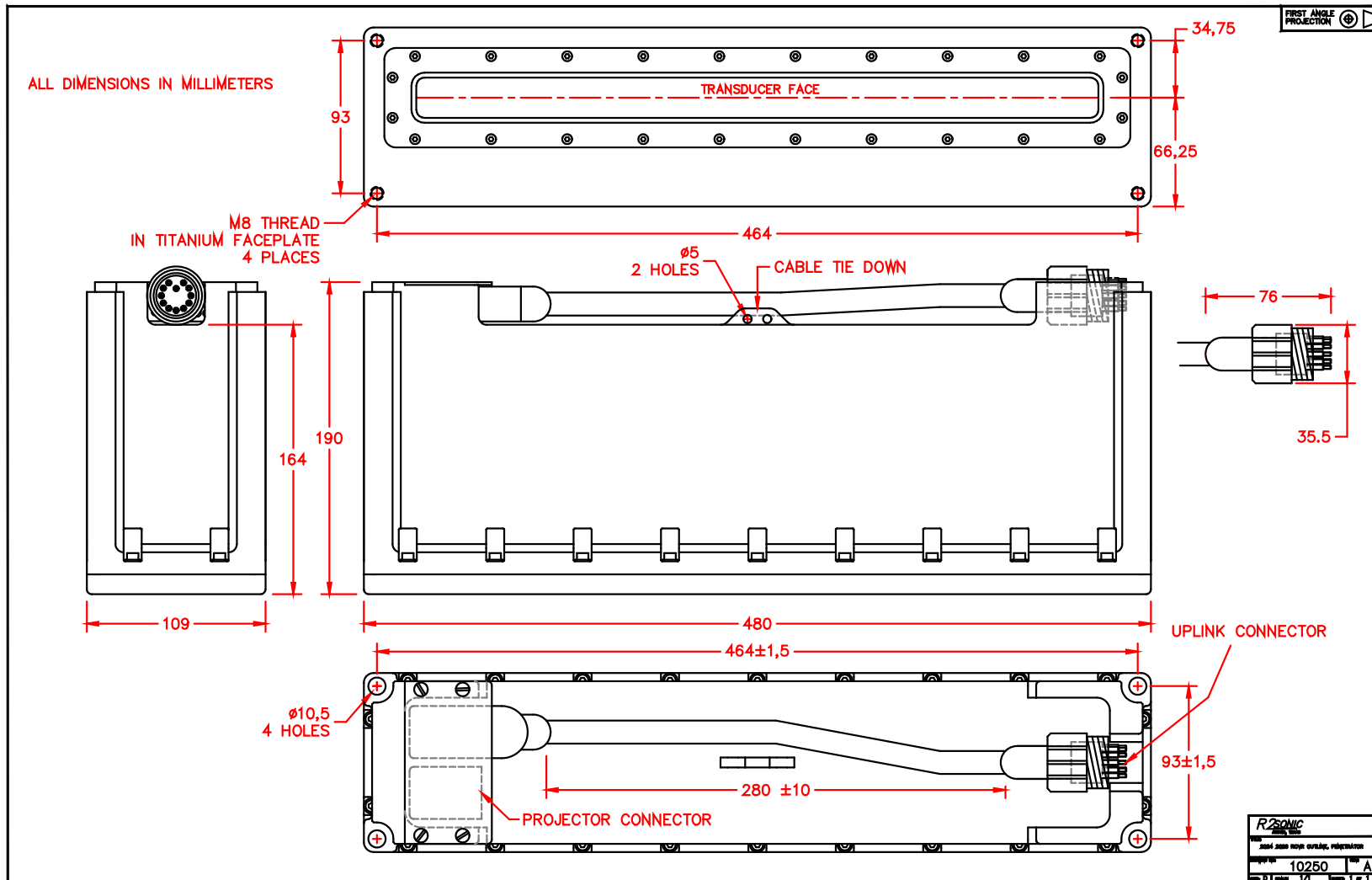


Figure 202: Receiver outline with penetrator

Version	6.2	Rev	r001
Date	08-02-2017		

Part No. 96000001

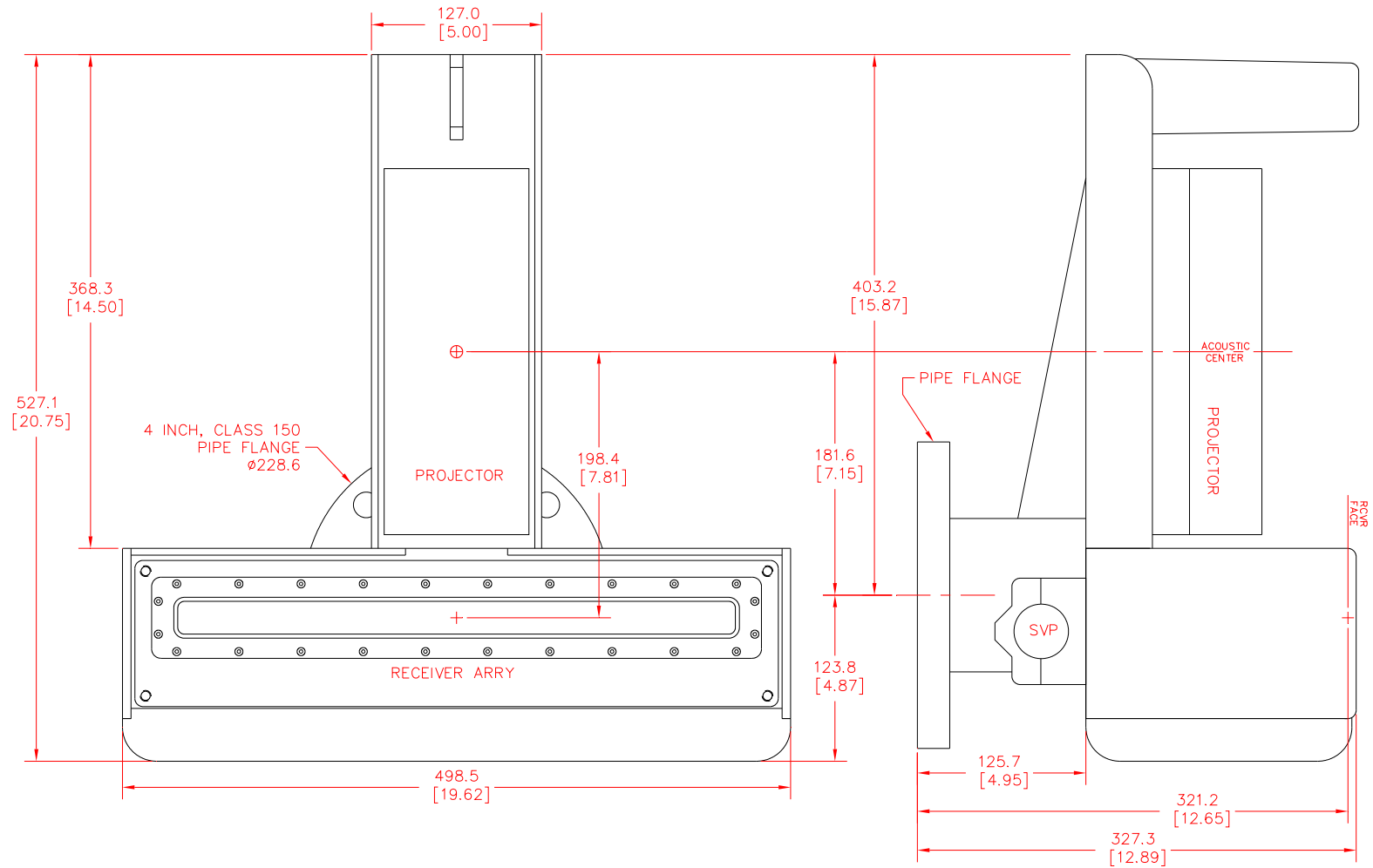


Figure 205: Sonic 2024 Mounting Bracket Drawing

Version	6.2	Rev	r001
Date	08-02-2017		

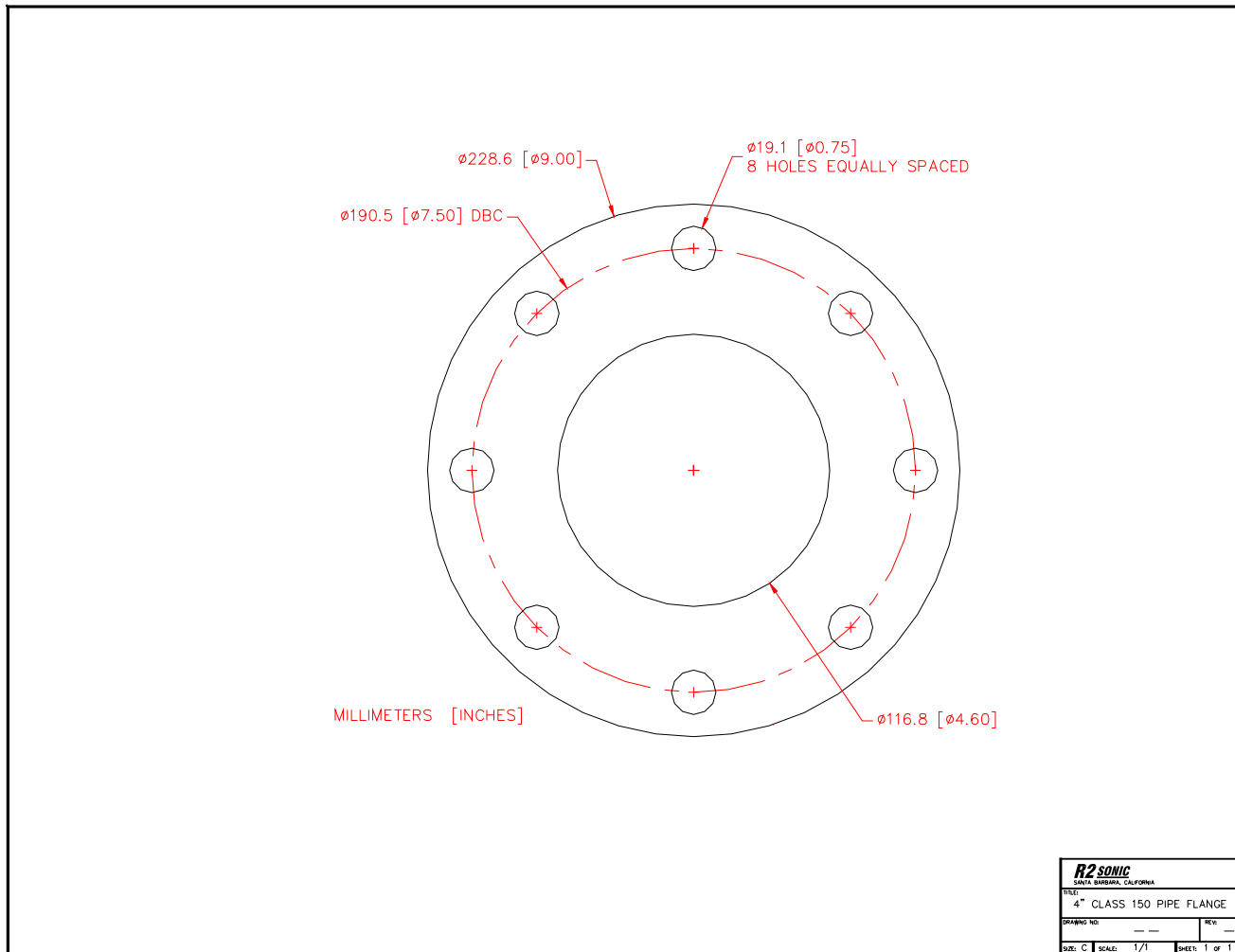


Figure 208: Sonic 2024/2022 Mounting Bracket Flange

Version	6.2	Rev	r001
Date	08-02-2017		

Part No. 96000001