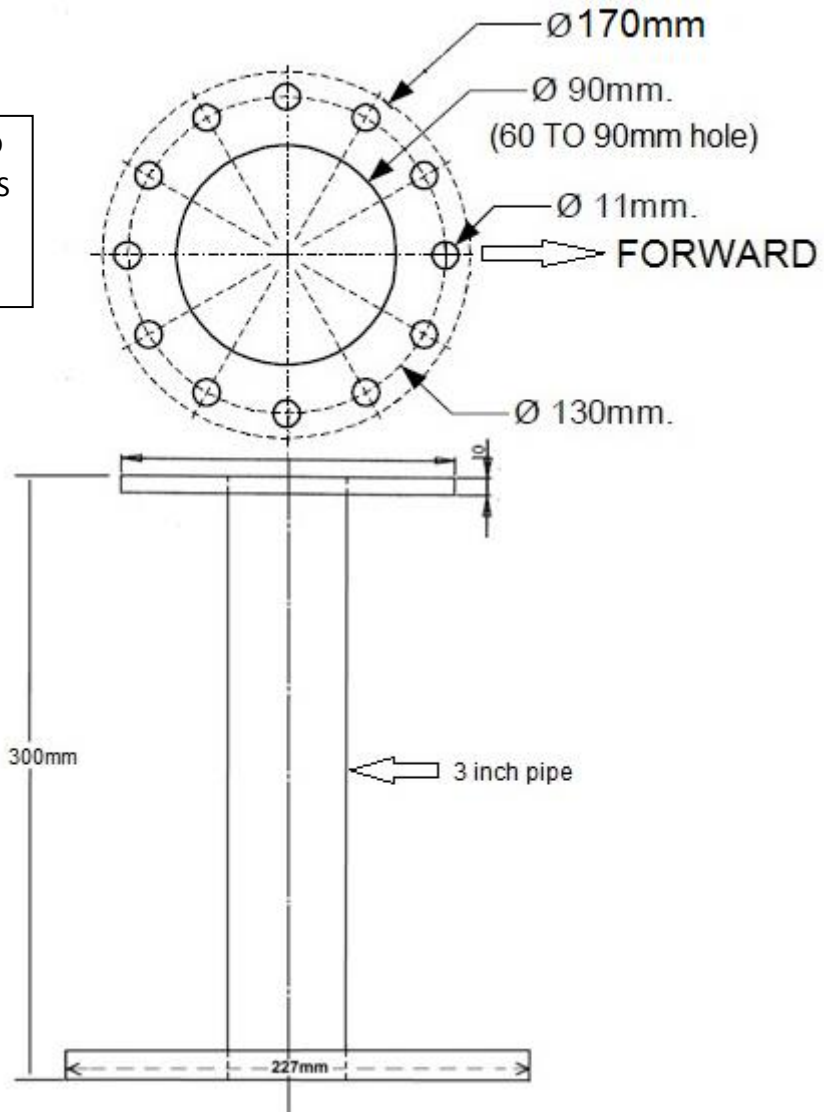
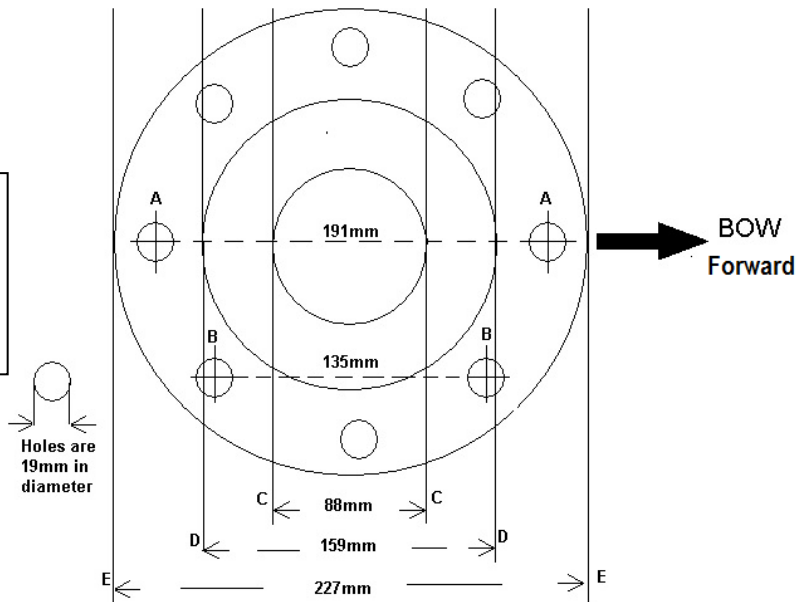


INNOMAR COMPACT\STANDARD
 TRANSDUCER FLANGE, M8 STUDS
 AT 12,2,4,6,8,10 O'CLOCK



4" FLANGE USED ON
 R2SONIC, RESON,
 GEOSWATH, KONGSBERG



- A-A = Distance between centres of any two opposite holes
- B-B = Distance between centres of next holes out from centre
- C-C = Diameter of hole through centre of pipe
- D-D = Diameter of slightly raised lip on flange (2mm lip, see other diagram)
- E-E = External diameter of flange