

Figure 190: Sonic 2020 mounting frame, top view, flange attachment

Version	3.3	Rev	r000
Date	13-04-2017		

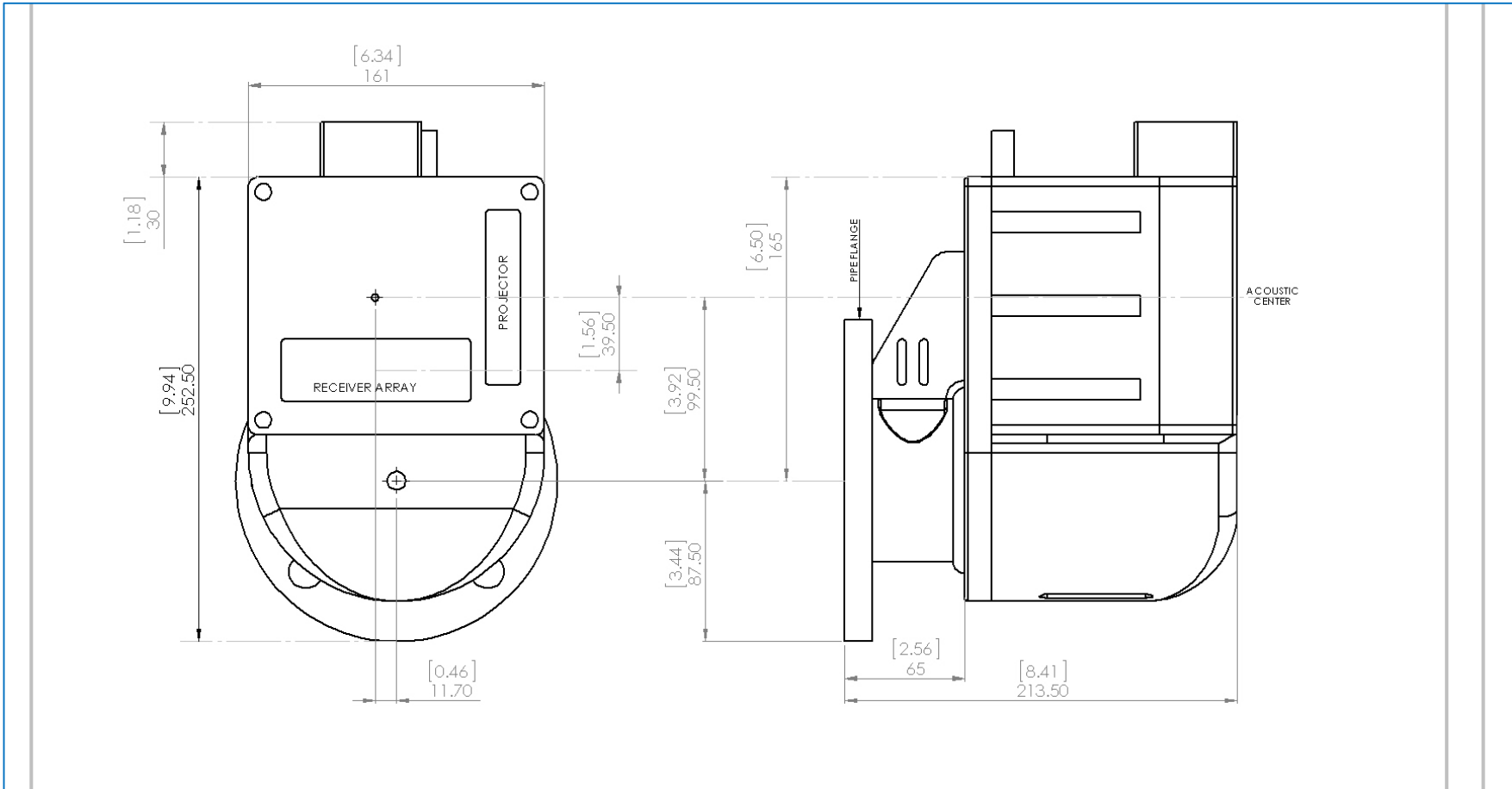


Figure 191: R2C 2020 Mounting Bracket

Version	3.3	Rev	r000
Date	13-04-2017		

Part No. 96000005

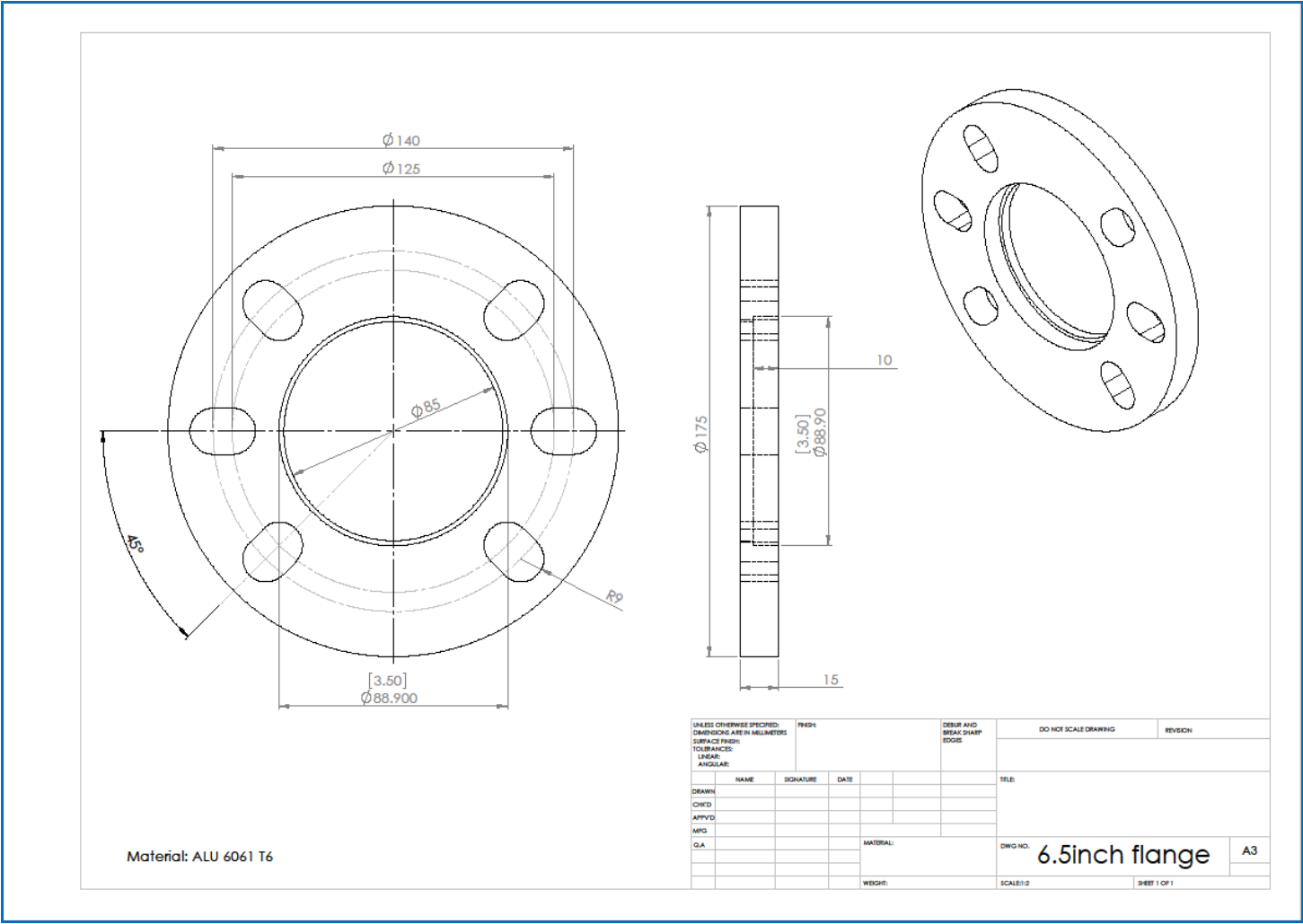


Figure 192: R2C Flange

Version	3.3	Rev	r000
Date	13-04-2017		