

E.2 SeaBat T-Series Subsea Design Documents

The following design documents and drawings are provided for reference purposes.

Document Title	Document Number
Receiver, EM7219-1, Outline (for T20 system)	85002536M011
Receiver, EM7218, Outline (for T50 system)	85002409M011
TC2160 Outline dimension	2160M011
TC2163 Outline dimension	2163M011
TC2181 Outline dimension	85002319M011
Subsea Sonar Processor, Outline	85002507M011
Ethernet cable, Subconn DIL13M w. DIL13F (Rx to SSP cable and host cable)	85002393 0040360000-052
Cable Assembly, Tx, HD-PV, Water Blocked, 7k (deep)	85001850B011
CABLE ASSY, HD-PV, MCIL-6_FC, TX, 7K (shallow)	85001763B011
Ethernet cable, Subconn DBH13F Brass. w. DDC13M (Bulkhead connector)	1007294 0040360000-053
Cable Assy, MHDG-12-CPP, 12c AWG#20, Pigtail, 5m	1009794 PARTD17002
Cable Assy, MCIL-9-FS to MCIL-6-MP, for SVP70 to wet SVP interface (optional) ³⁵	PARTD16102
Sonar reference point definition	GD12899

³⁵ SVP 70 cable options:
 PN 1009571: 1m
 PN 1009791: 3m (standard length)
 PN 1009792: 5m

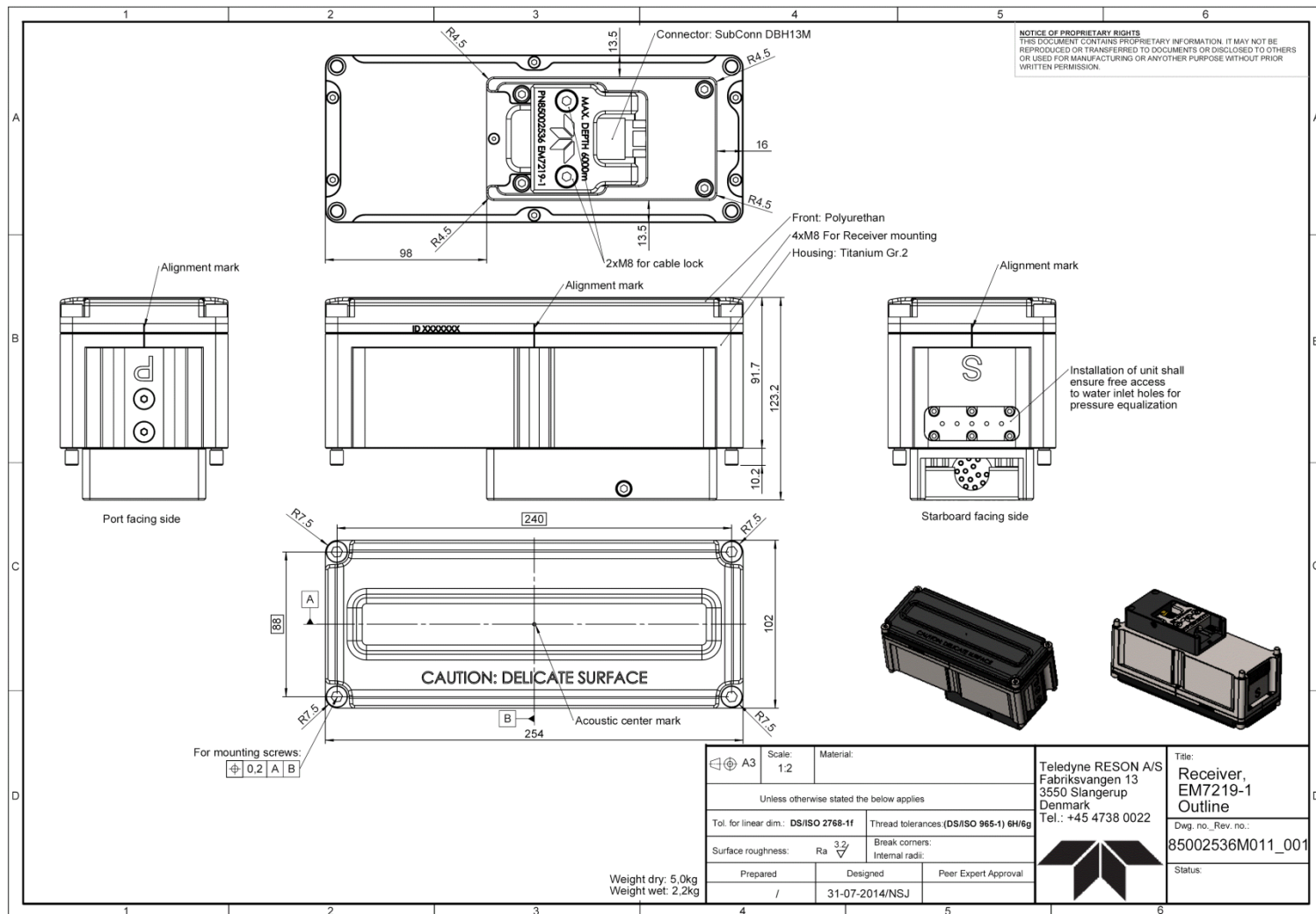


Figure 70: Receiver, EM7219-1 Outline Dimensions

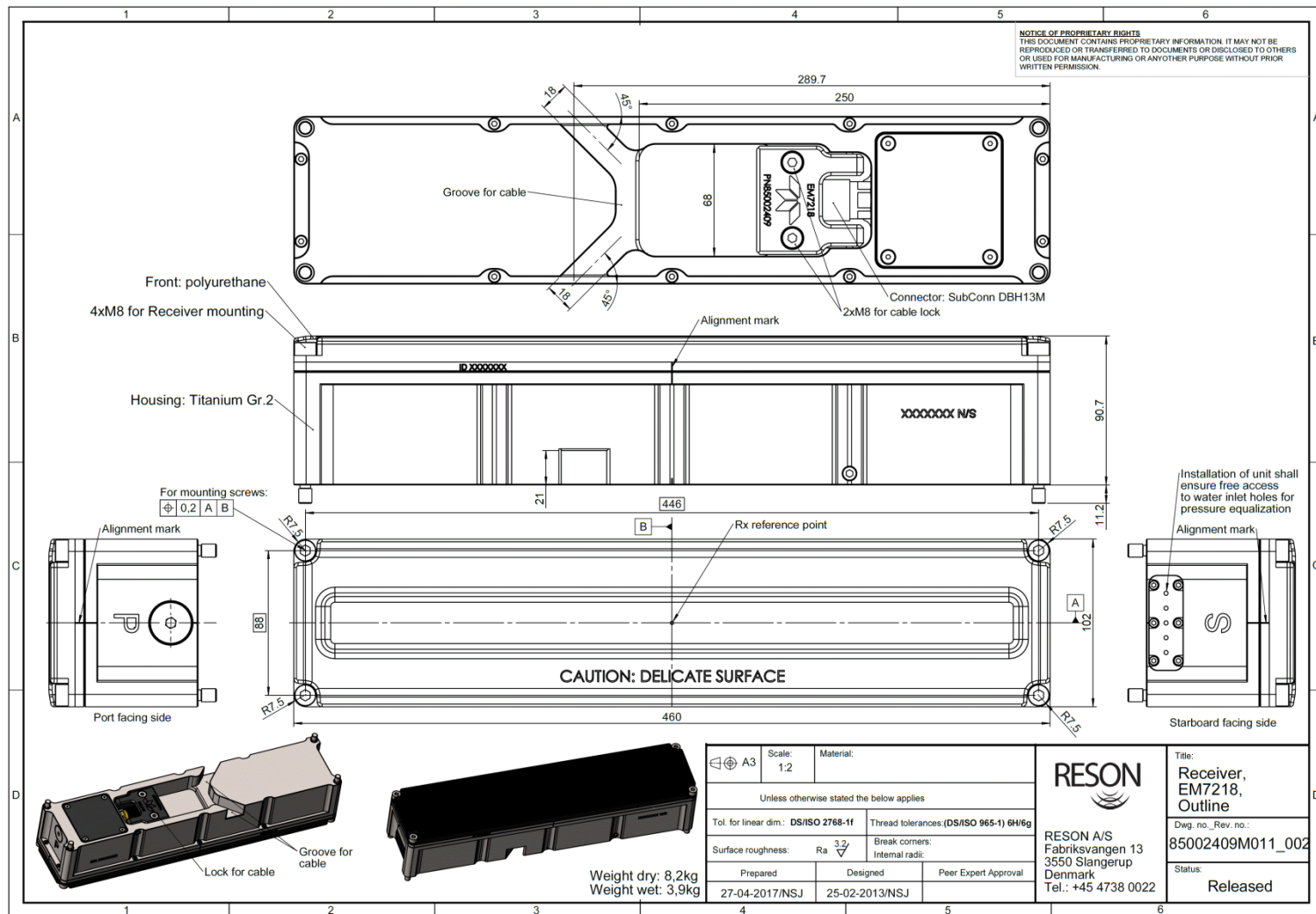


Figure 71: Receiver, EM7218 Outline Dimensions

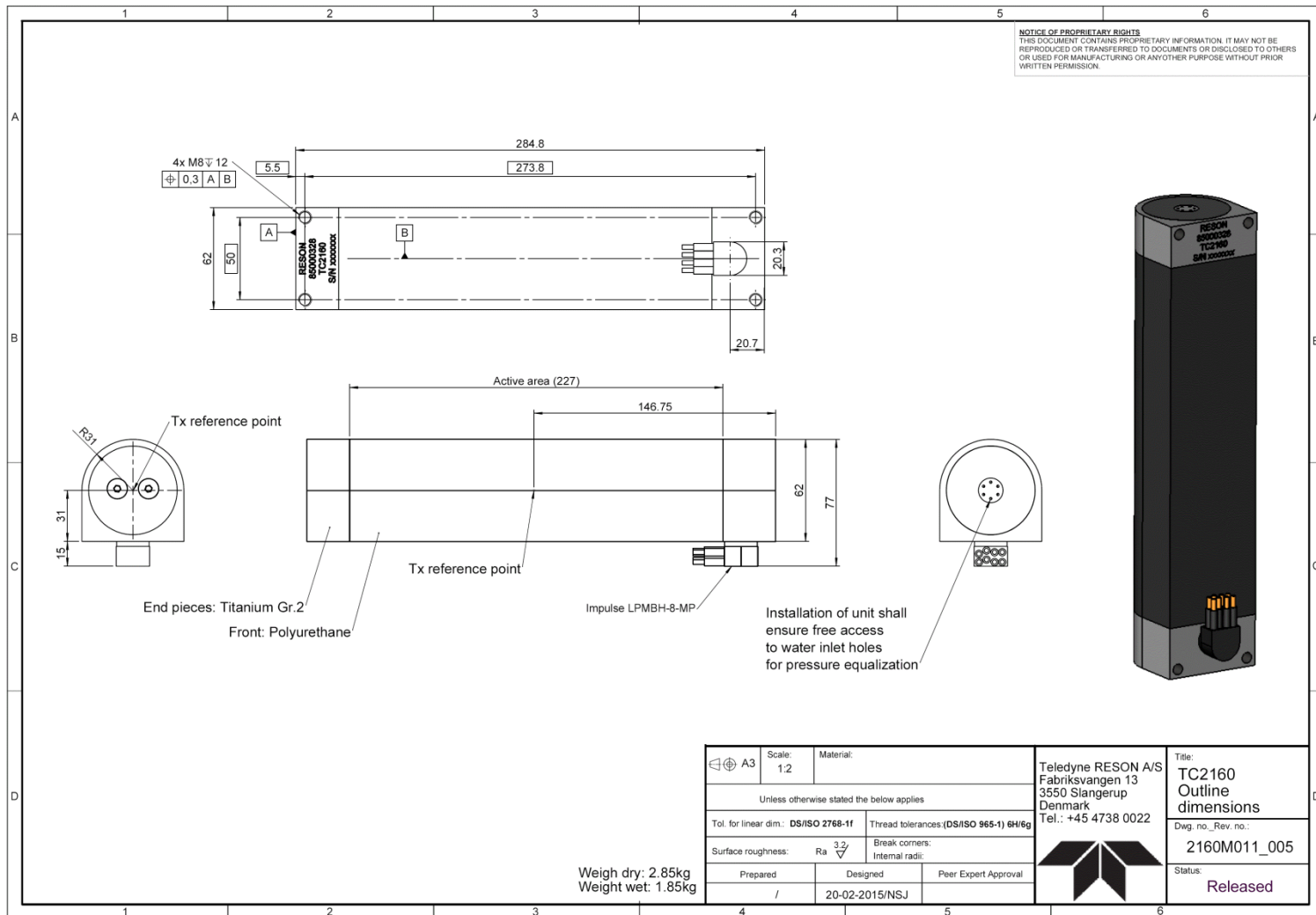


Figure 72: Projector, TC2160 Outline Dimensions (for deep installation)

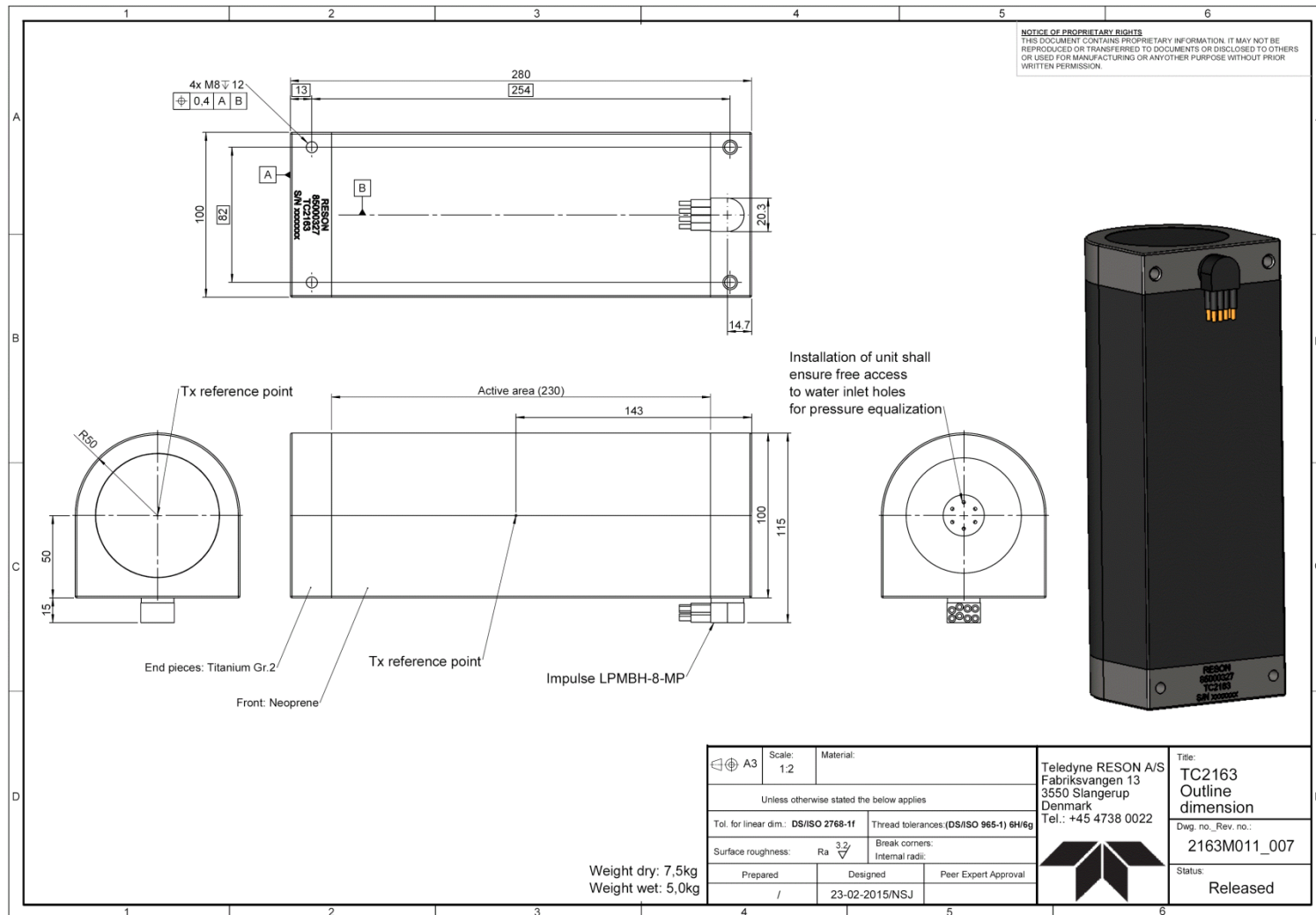


Figure 73: Projector, TC2163 Outline Dimensions (for deep installation)

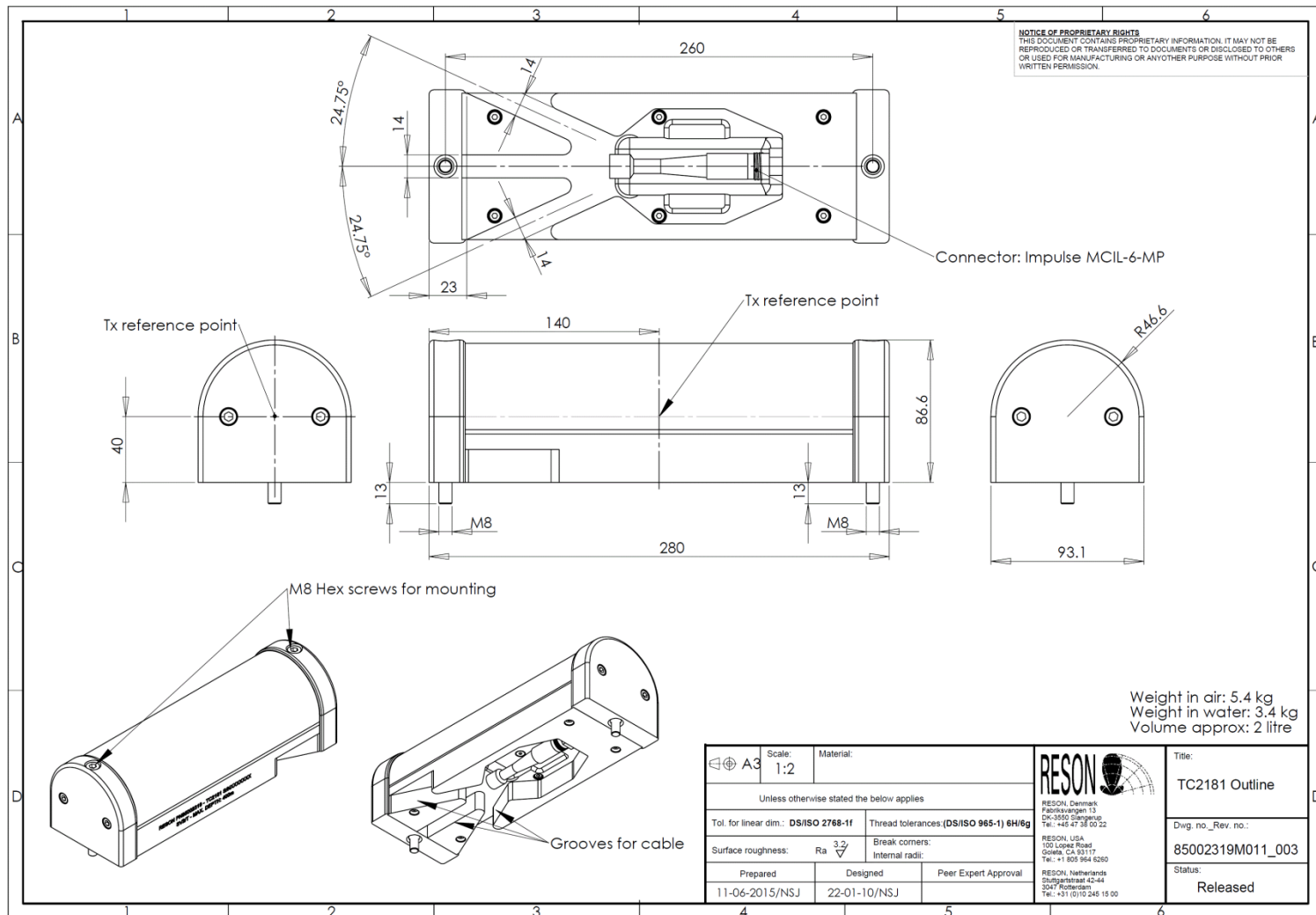


Figure 74: Projector, TC2181 Outline Dimensions (for shallow installation)

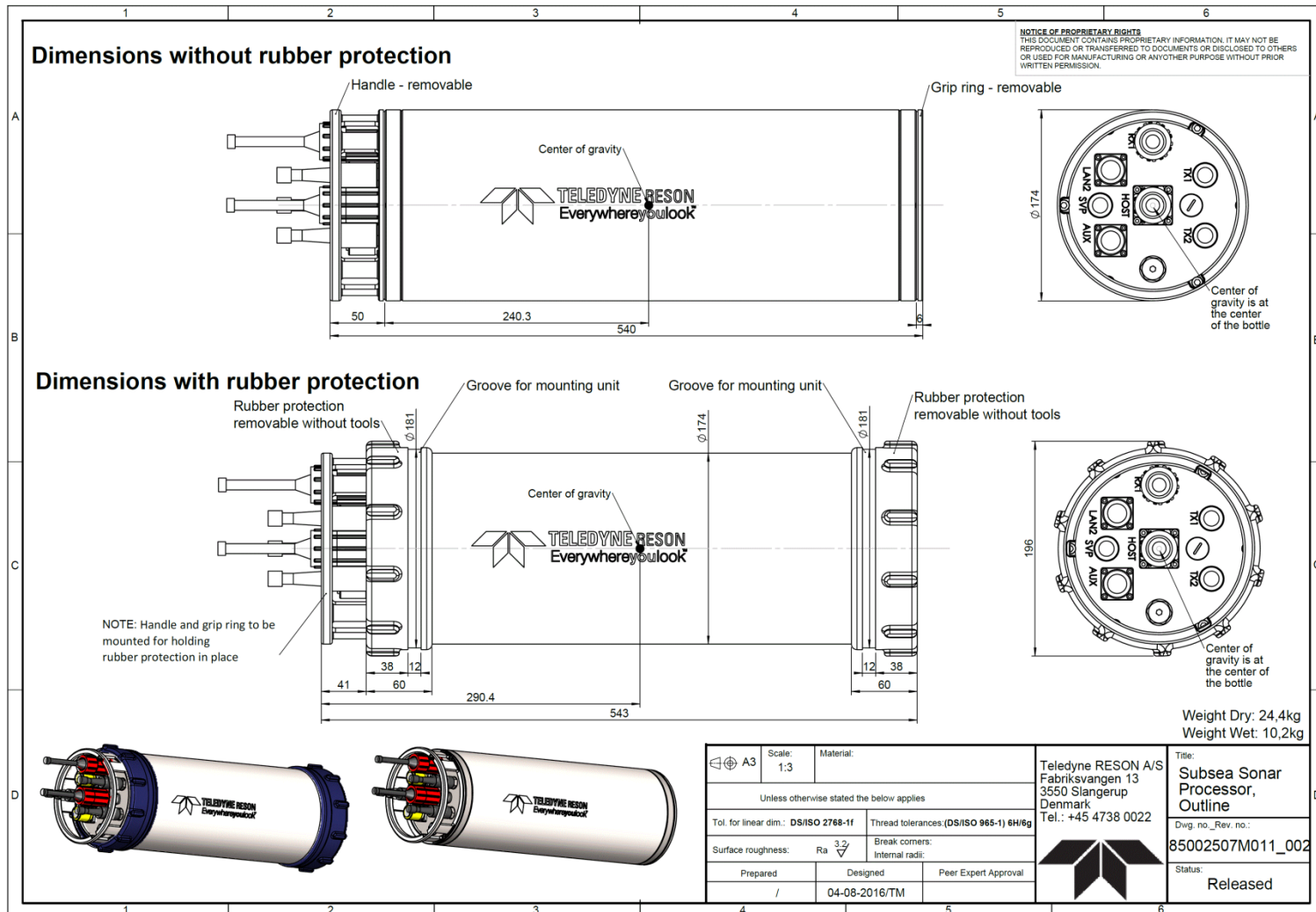


Figure 75: Subsea Sonar Processor, Outline Dimensions

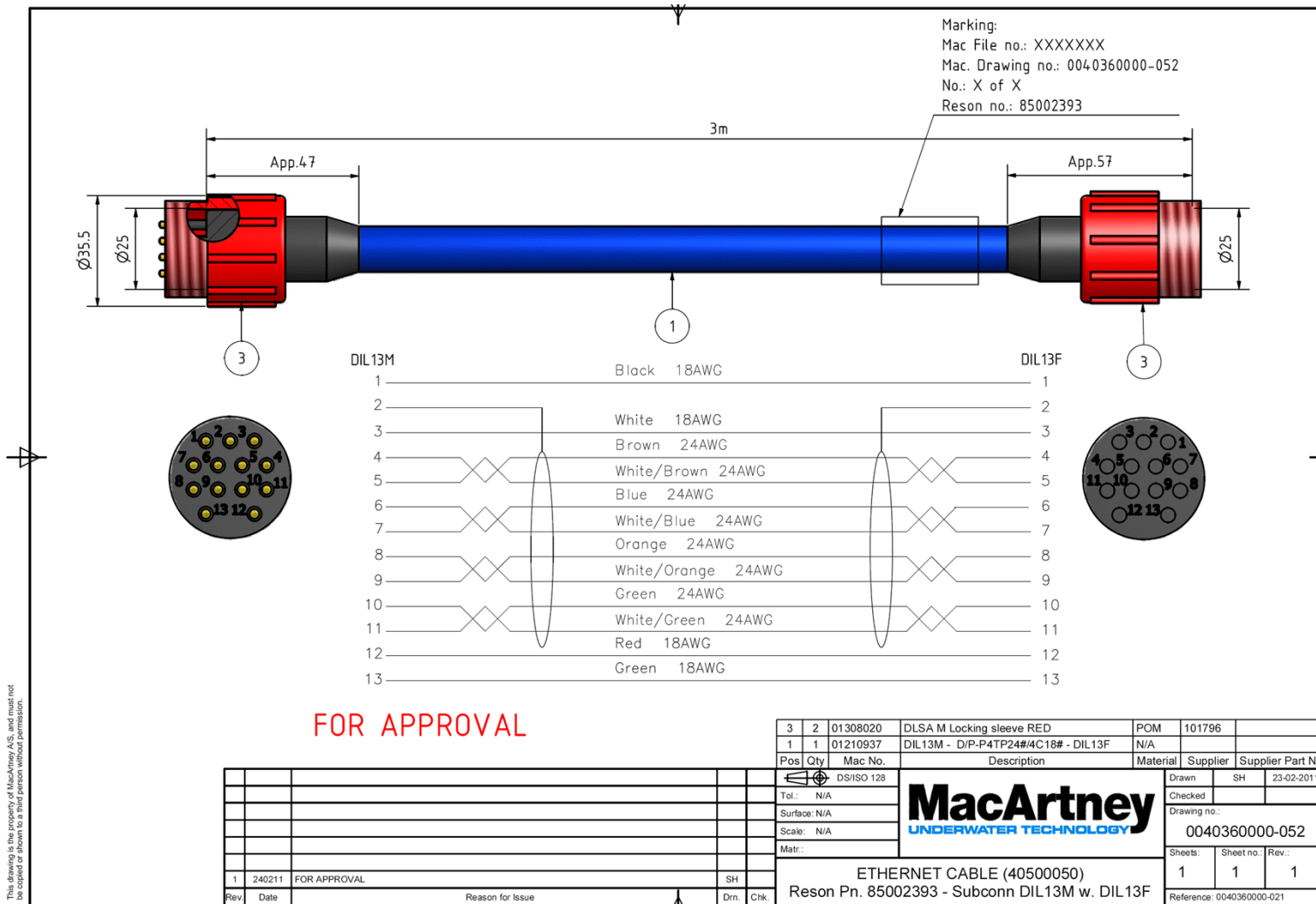


Figure 76: Cable Assembly, Receiver to SSP and Host Cable

REFERENCE DOCUMENTATION

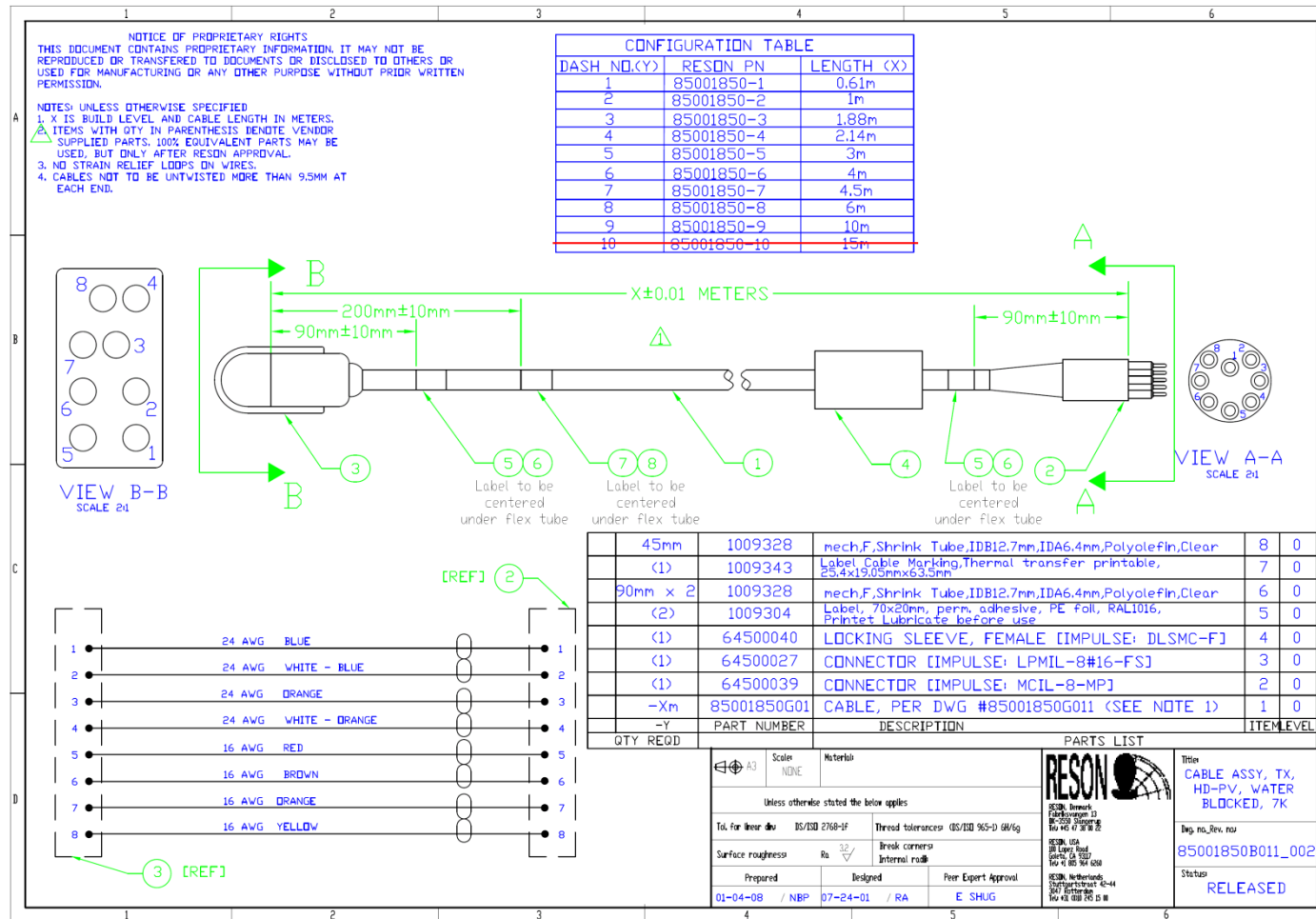


Figure 77: Cable³⁶ Assembly, TC 2163/60 Projector to SSP (deep)

³⁶ Max. cable length offered: 5m.

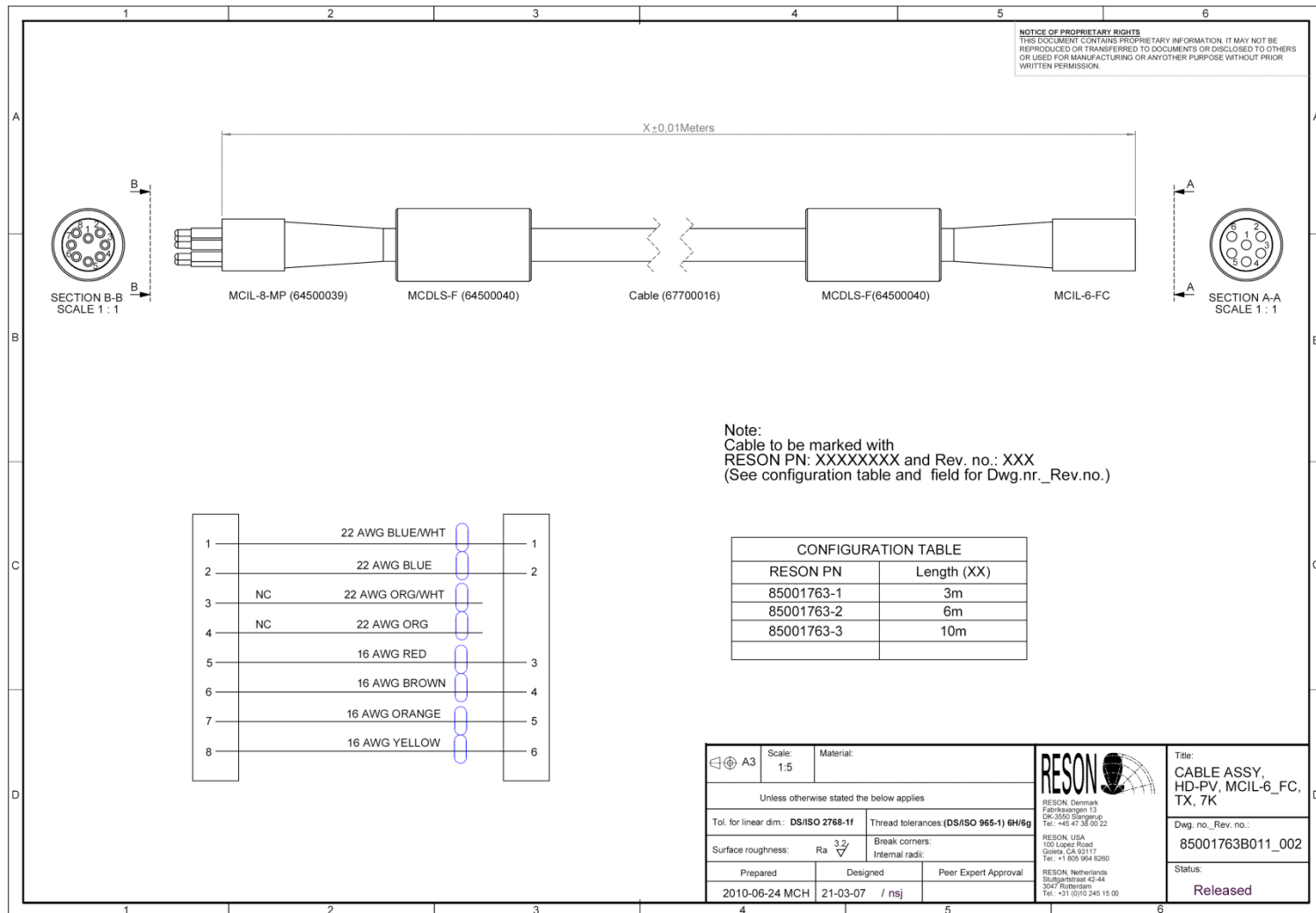


Figure 78: Cable Assembly, TC2181 Projector to SSP (shallow)

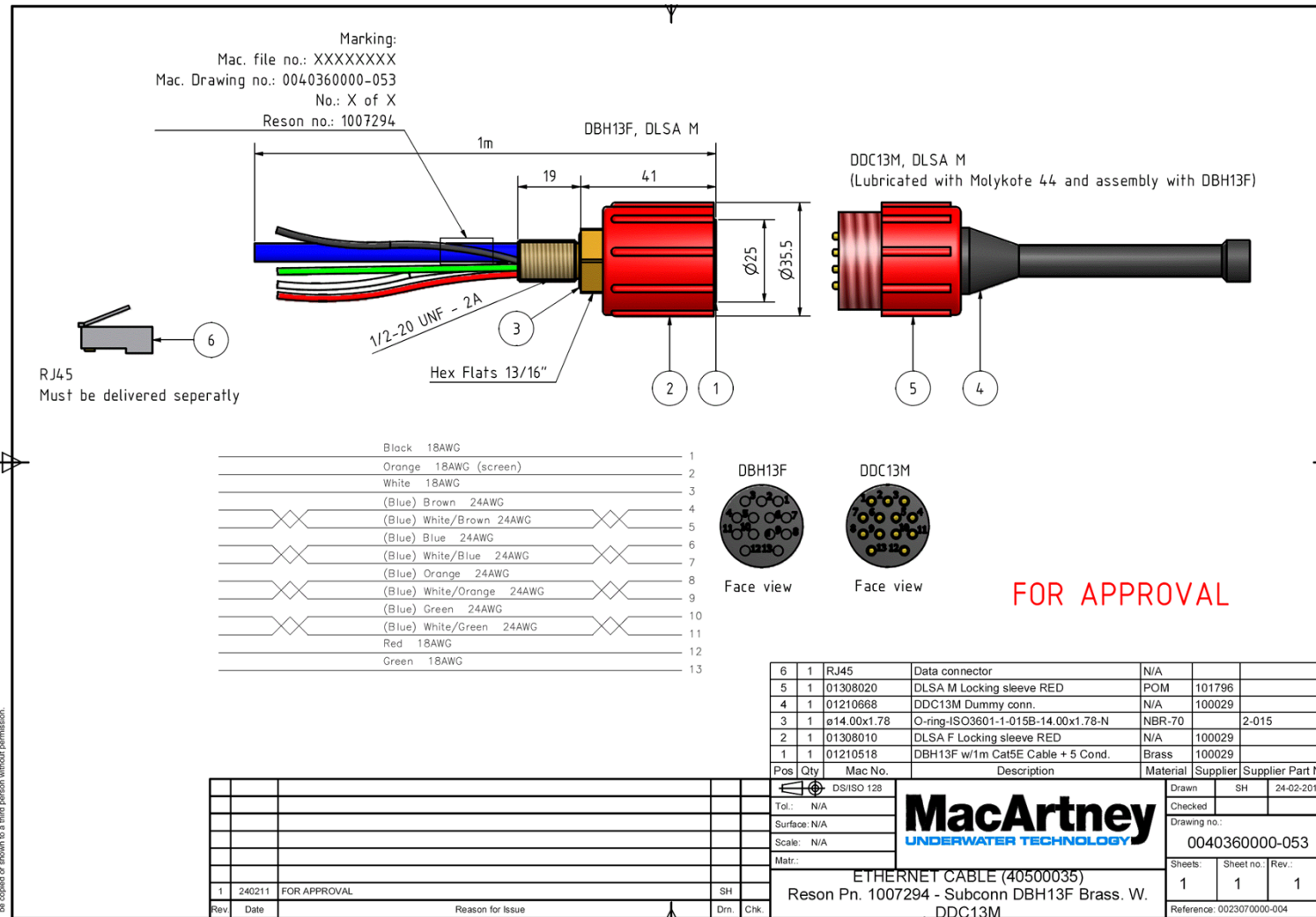


Figure 79: Cable Assembly, Bulkhead Connector for ROV

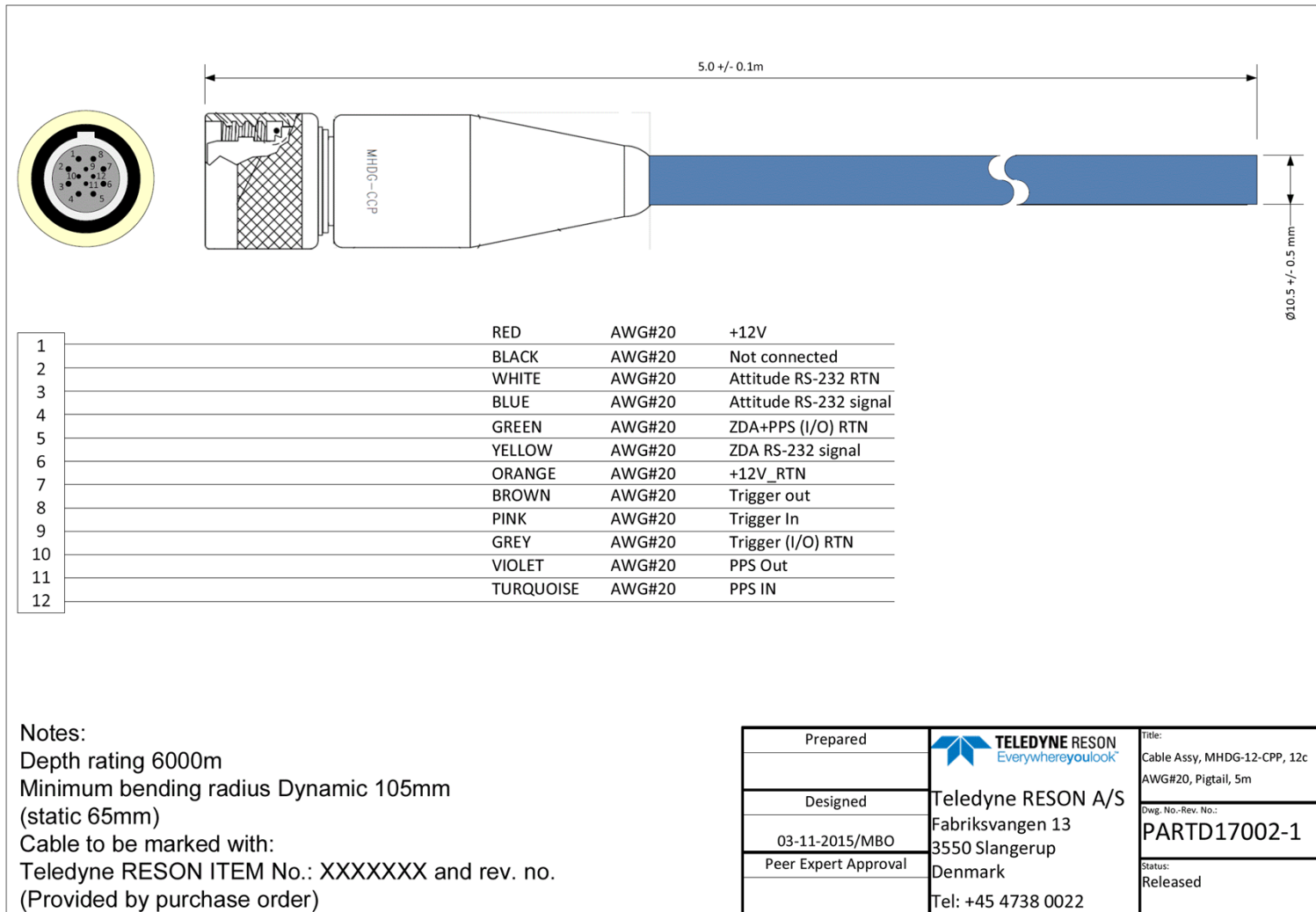


Figure 80: Cable Assembly, AUX Pigtail

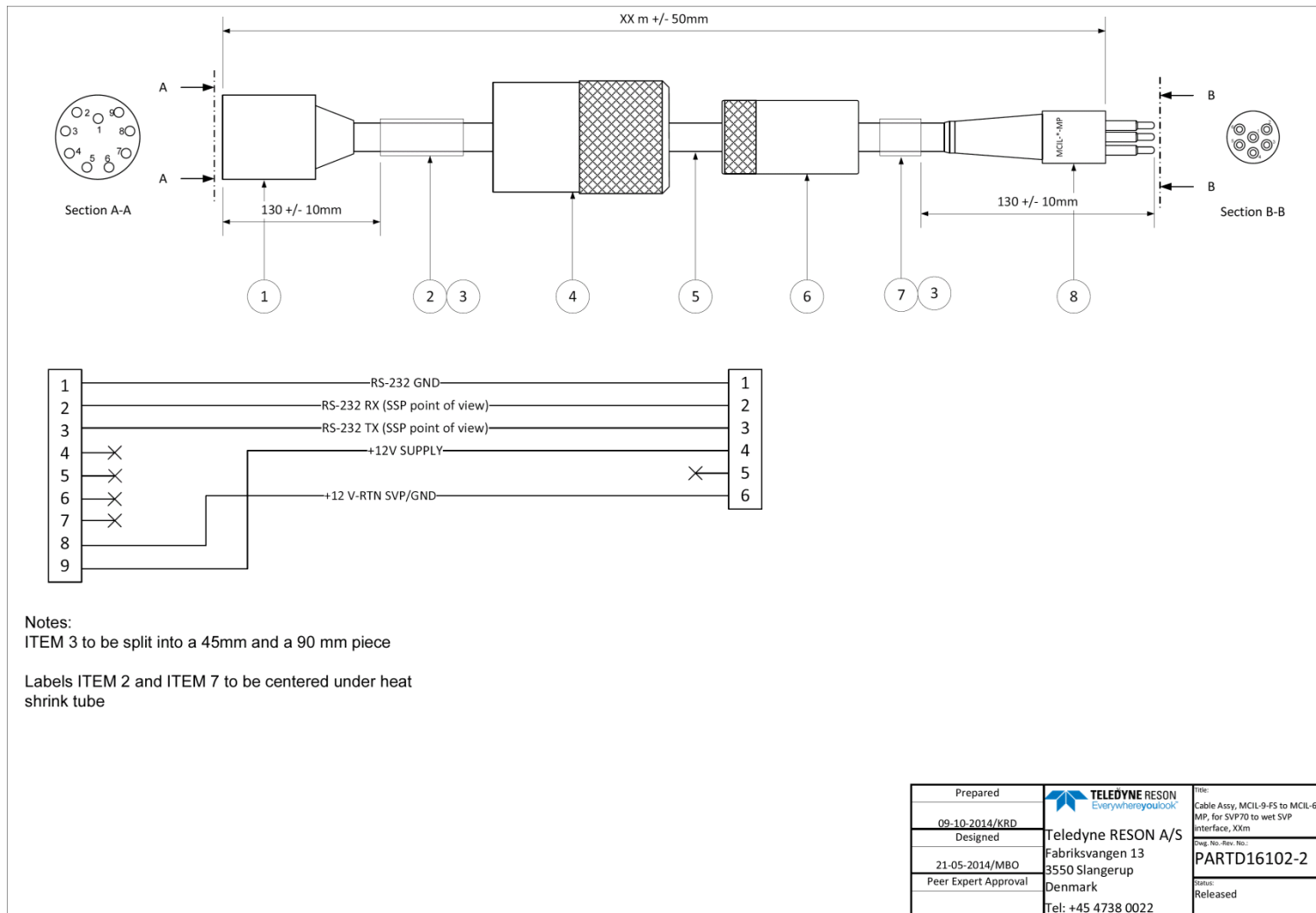


Figure 81: Cable Assembly, SSP to SVP 70 (optional)

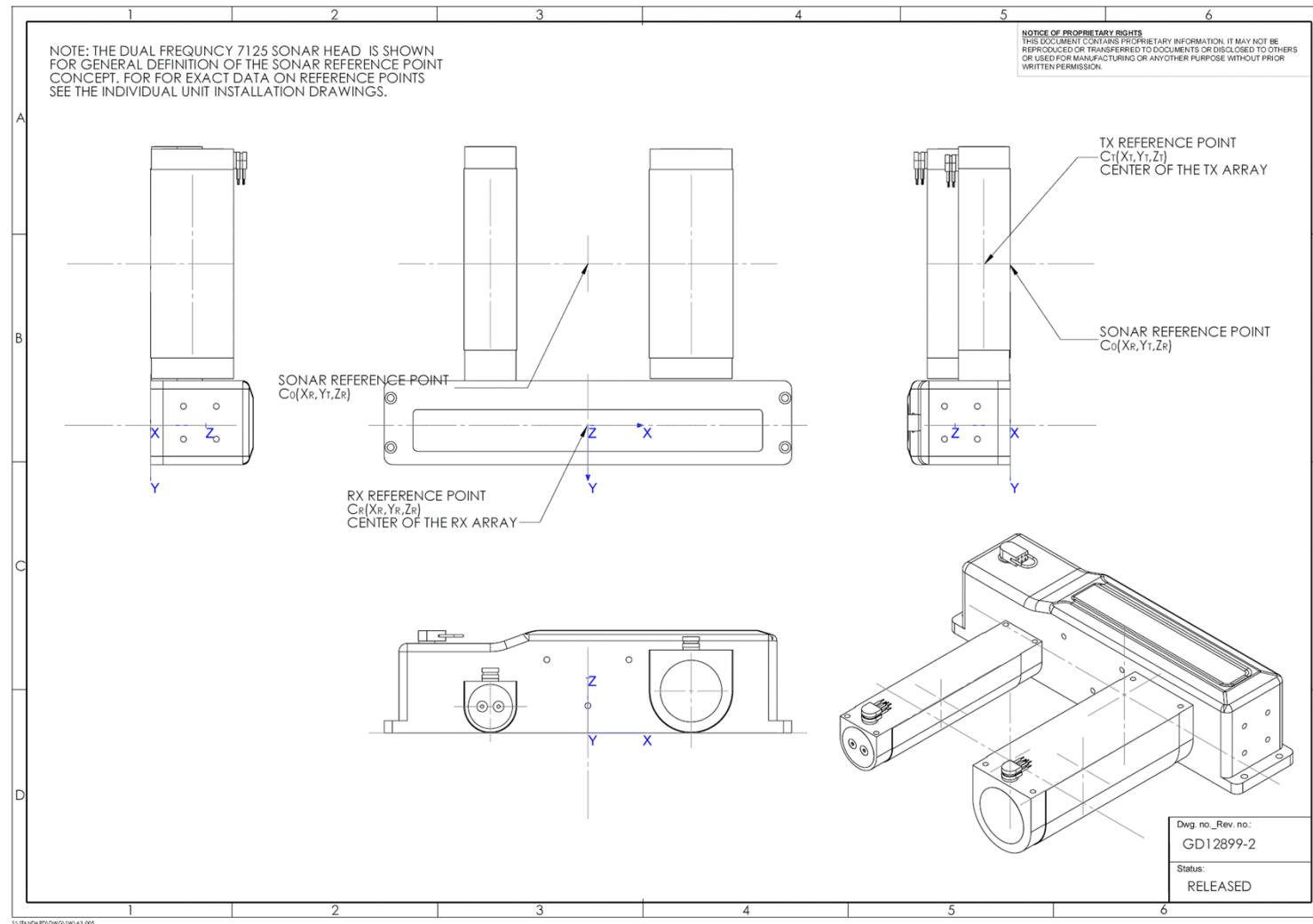


Figure 82: Sonar Reference Point Definition